



NJ 2216 ECML

- SKF Explorer

Cylindrical roller bearings, single row

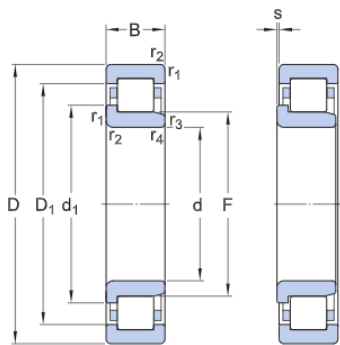
Bearing data

[Tolerances](#),
Normal (metric), P6, Normal (inch),
[Radial internal clearance](#),
cylindrical bore, tapered bore,
[Axial internal clearance](#),
NUP, NJ + HJ

Bearing interfaces

[Seat tolerances for standard conditions](#),
[Tolerances and resultant fit](#)

Technical specification

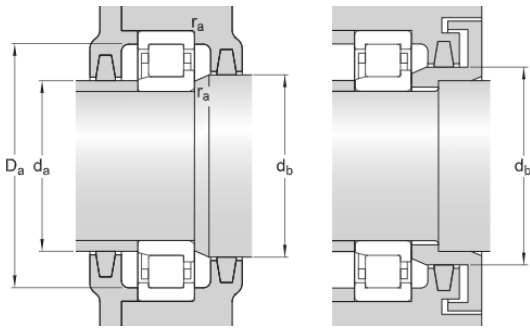


DIMENSIONS

| | | |
|------|------------|--|
| d | 80 mm | Bore diameter |
| D | 140 mm | Outside diameter |
| B | 33 mm | Width |
| d1 | ≈101 mm | Shoulder diameter of inner ring |
| D1 | ≈122.4 mm | Shoulder diameter of outer ring |
| F | 95.3 mm | Chamfer dimension of loose flange ring |
| r1,2 | min.2 mm | Chamfer dimension |
| r3,4 | min.2 mm | Chamfer dimension |
| s | max.1.4 mm | Permissible axial displacement |

ABUTMENT DIMENSIONS

| | | |
|----|--------------|----------------------------|
| da | min.90 mm | Diameter of spacer sleeve |
| da | max.93 mm | Diameter of spacer sleeve |
| db | min.104 mm | Diameter of shaft abutment |
| | max.129.8 mm | Diameter of |



| | | |
|-------|----------|------------------|
| D_a | mm | housing abutment |
| r_a | max.2 mm | Radius of fillet |

CALCULATION DATA

| | | |
|---------------------------|-------|-------------|
| Basic dynamic load rating | C | 212 kN |
| Basic static load rating | C_0 | 245 kN |
| Fatigue load limit | P_u | 31 kN |
| Reference speed | | 5 300 r/min |
| Limiting speed | | 8 500 r/min |
| Minimum load factor | k_r | 0.3 |
| Limiting value | e | 0.3 |
| Axial load factor | Y | 0.4 |

MASS

| | |
|------|--------|
| Mass | 2.2 kg |
|------|--------|

ASSOCIATED PRODUCTS

| | |
|------------|-----------|
| Angle ring | HJ 216 EC |
|------------|-----------|